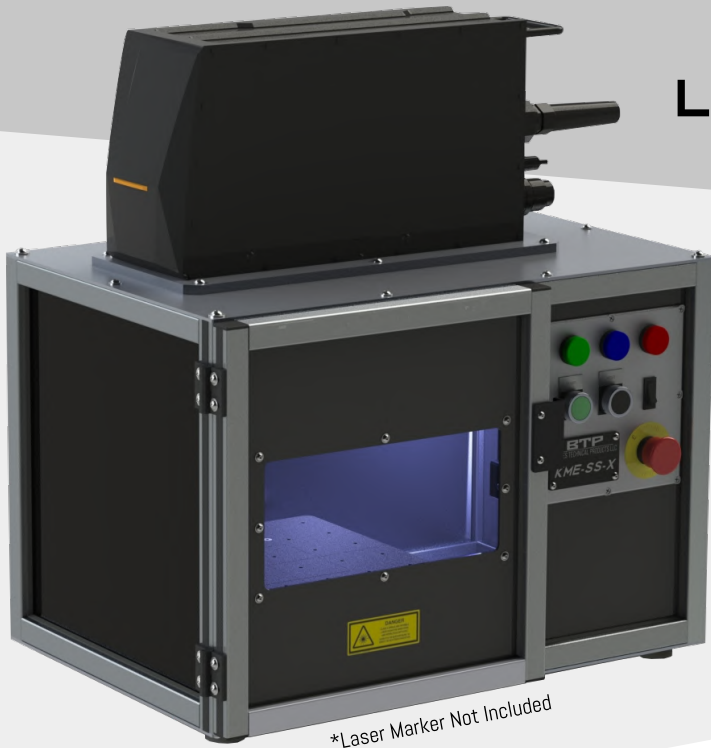


# KME-S

## LASER MARKING ENCLOSURE

For Keyence MD-X, MD-U & MD-F Laser Markers



Introducing our cost-effective laser marking enclosure for use with Keyence MD-X, MD-U & MD-F laser markers.

This enclosure is specifically designed to provide a secure and stable environment for your Keyence laser marker, ensuring precision and safety for all of your marking applications.

The space efficient design allows for a wide range of part sizes, while still being compact enough for easy integration into any workspace.

With its affordable price point, this enclosure is the perfect solution for businesses looking to optimize their marking process.

## MODELS

The KME-S Laser Marking Enclosure is compatible with Keyence MD-X, MD-U & MD-F Laser Markers, with two sizes available for use with both standard area and wide area laser markers.

**Standard Size: \$5395.00** \*subject to change at any time

- For Standard & Small Spot Marking Area Lasers
- Enclosure Dimensions: 24"L x 16"W x 16-1/4"H

**Tall Size: \$6195.00** \*subject to change at any time

- For Wide Marking Area Lasers
- Enclosure Dimensions: 24"L x 16"W x 20-3/4"H

Model	Size	Laser	Marking Area
KME-SS-X	Standard	MD-X	Standard
KME-SSP-X*	Standard	MD-X	Small Spot
KME-SW-X	Tall	MD-X	Wide
KME-SS-U**	Standard	MD-U	Standard
KME-SW-U**	Tall	MD-U	Wide
KME-SS-F	Standard	MD-F	Standard
KME-SW-F	Tall	MD-F	Wide


\*Includes riser for scissor jack \*\*Compatible with both MD-U1000 & MD-U2000 Series


## FEATURES

- Model-Specific Laser Marker Mount Plate
- Large Safety-Interlocked Access Door
- Laser Marker Focal Zone Visual Reference
- 9-1/2" x 9-1/2" Scissor Jack Part Platform (With Optional 12" x 12" Part Fixture Plate)
- Fume Extractor Port with Cover
- LED Interior Light
- Control Panel with Indicator Lights, Start & Stop Buttons, E-Stop and Light Switch
- Fits Parts Up to 22" Long x 13" Wide

## HOW TO ORDER

To place an order, contact us by phone, email or website contact form.

 (203) 931-8852

 rbarnes@barnestechprod.com

 [www.barnestechprod.com/laser-enclosure](http://www.barnestechprod.com/laser-enclosure)

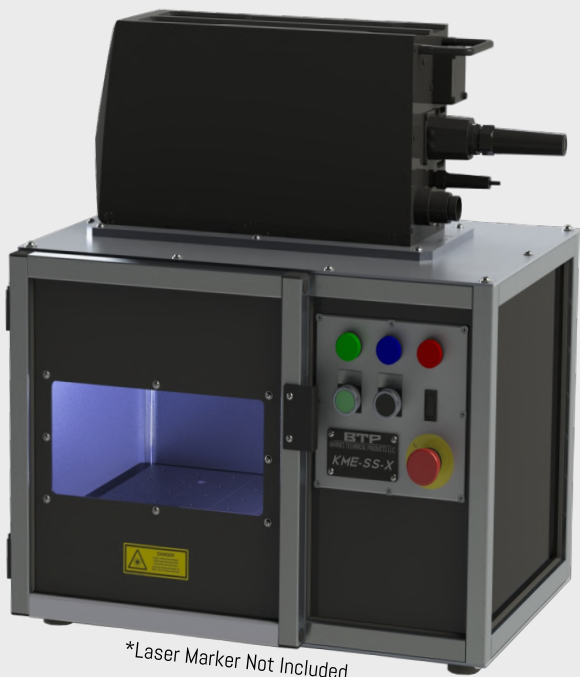
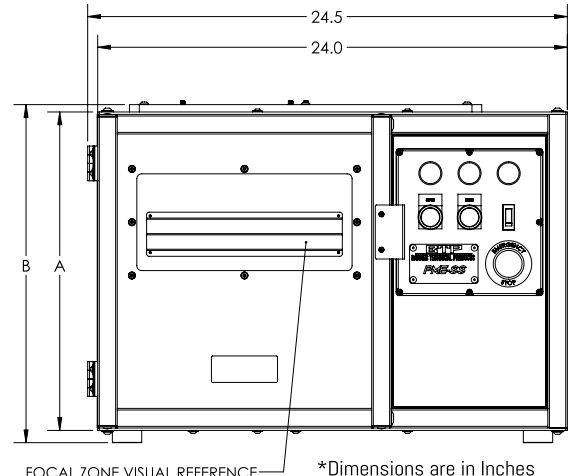
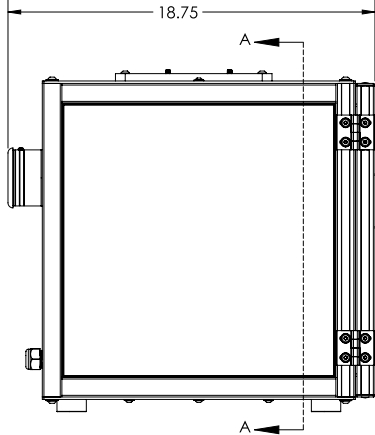
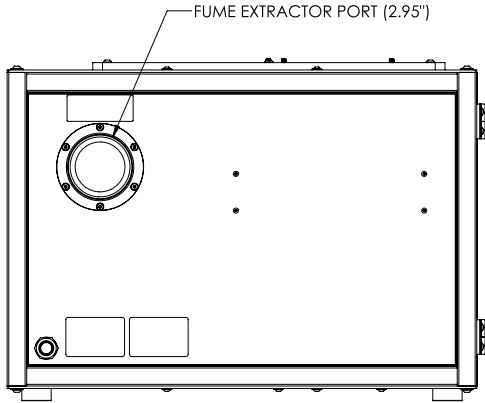
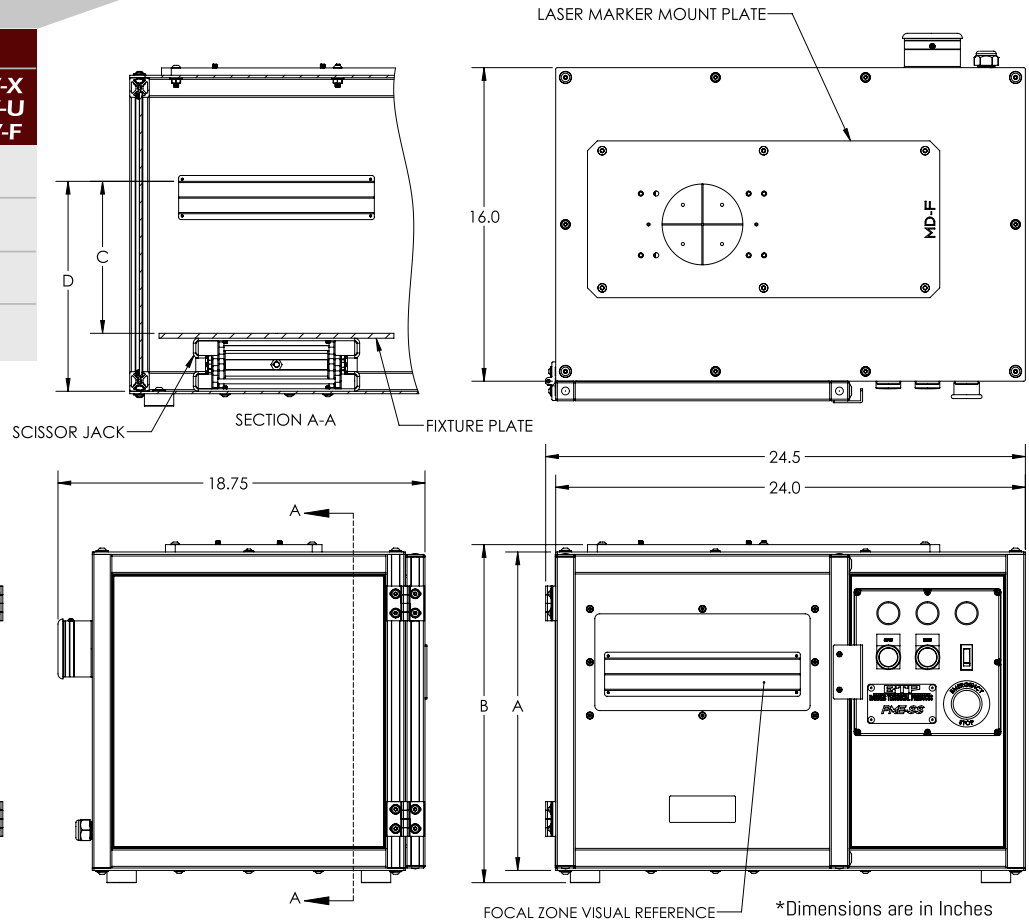
**BTP**

**BARNES TECHNICAL PRODUCTS LLC**  
15 HIGH ST. WEST HAVEN, CT 06516

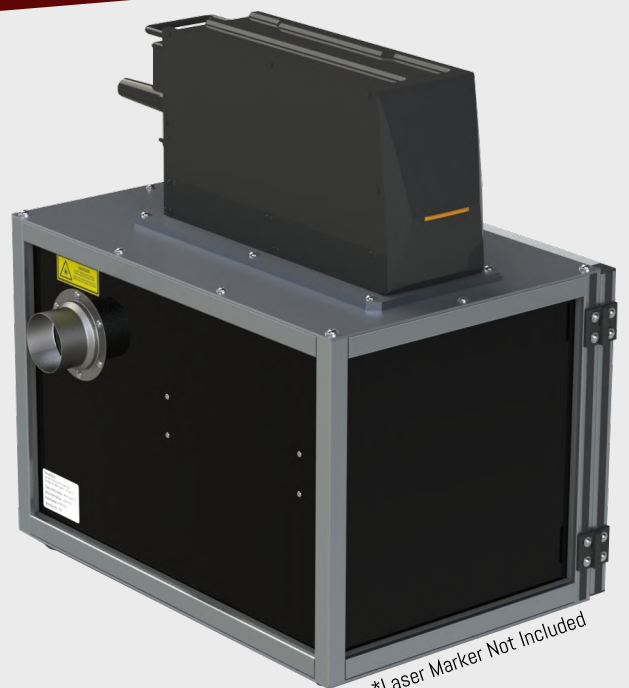
# DIMENSIONS

Dim.	Enclosure Model			
	KME-SS-X KME-SS-U	KME-SS-F	KME-SSP-X	KME-SW-X KME-SW-U KME-SW-F
A	16.25"	16.25"	16.25"	20.75"
B	17.25"	17.25"	17.25"	21.75"
C <sup>1</sup>	6.9"	7.7"	10.1"	7.0"
D <sup>2</sup>	9.6"	10.4"	12.8"	9.7"

1: Max part height (dimension from top of fixture plate to upper limit of laser work distance). Add 0.25" if fixture plate is not being used.  
 2: Max part height with scissor jack removed and fixture plate mounted directly to enclosure bottom panel.



\*Laser Marker Not Included



\*Laser Marker Not Included

## SAFETY LABELS

**BARNES TECHNICAL PRODUCTS LLC**  
 15 HIGH ST. WEST HAVEN, CT 06516

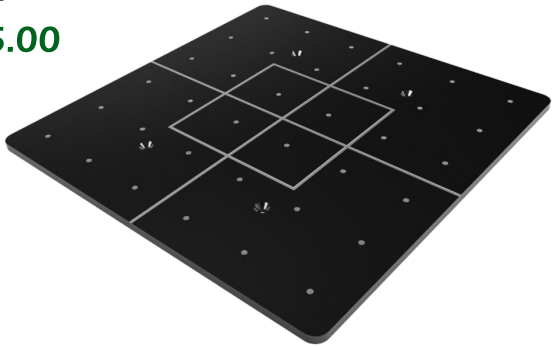
# ACCESSORIES

## FIXTURE PLATE

Accurately locate and mount parts or tooling using this add-on fixture plate.

The fixture plate features center-marking crosshairs, a standard marking area zone guide box, and 36 tapped mounting holes (#10-32).

- Model Number: KME-FPS-12
- Material: Black Anodized Aluminum
- Size: 12" x 12"
- Price: **\$295.00**



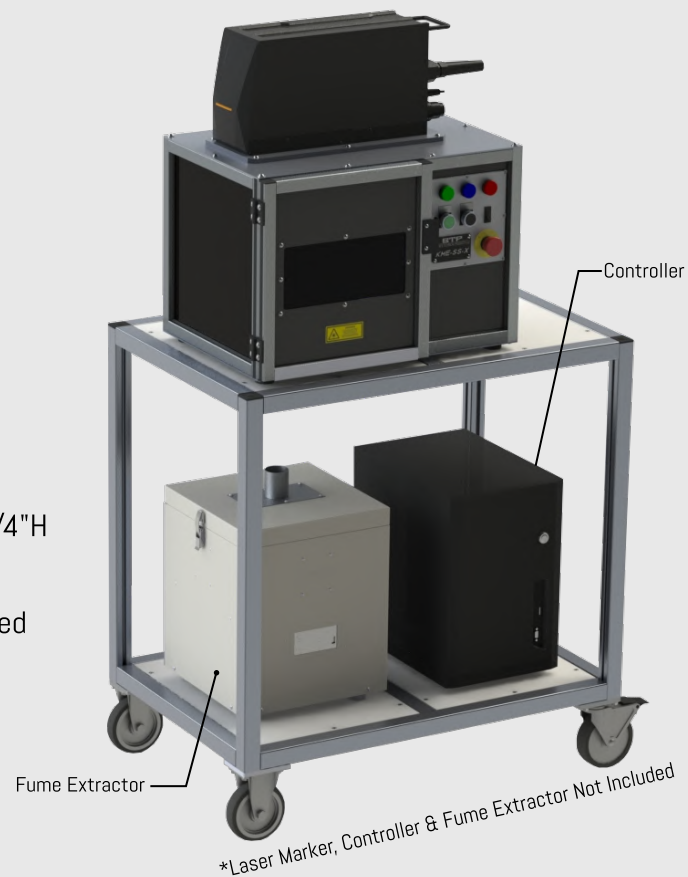
## EQUIPMENT CART

This cart is specifically designed to hold our KME-S Laser Marking Enclosure, as well as the MD-X, MD-U or MD-F Laser Marker Controller.

The Fumex FA1-Mini Fume Extractor is recommended if fume extraction is necessary, as the cart is designed to hold this unit. Hardware is included to mount the marking enclosure, controller and Fumex fume extractor.



- Model Number: KMC-1
- Size: 36"L x 24"W x 37-3/4"H
- Ships Fully Assembled
- Mounting Hardware Included
- Price: **\$1995.00**



\*Laser Marker, Controller & Fume Extractor Not Included

**BTP**

**BARNES TECHNICAL PRODUCTS LLC**  
15 HIGH ST. WEST HAVEN, CT 06516

# ACCESSORIES

## AUTOMATIC DOOR - HINGED

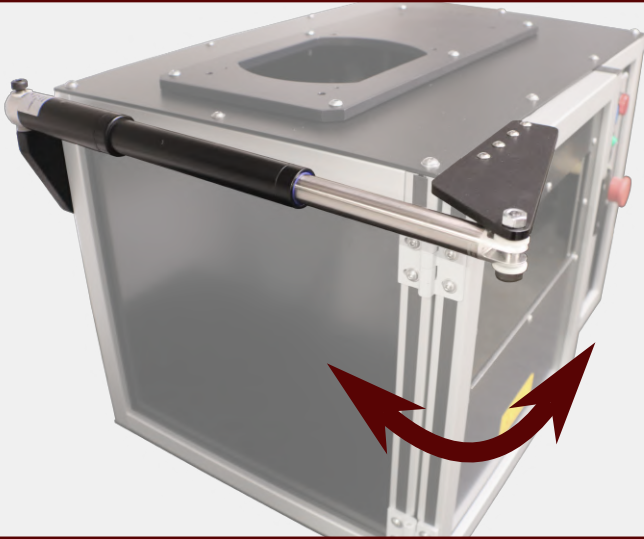
The Hinged Automatic Door Kit transforms your Keyence laser enclosure into an automated cell by replacing manual operation with an electrically actuated door.

Compatible with both our standard and tall size enclosures, this kit allows you to integrate your marking process with robotic arms or pick-and-place units by simply providing a 5V, 12V, or 24V DC signal to the control box.



Model Number: KAD-1

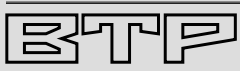
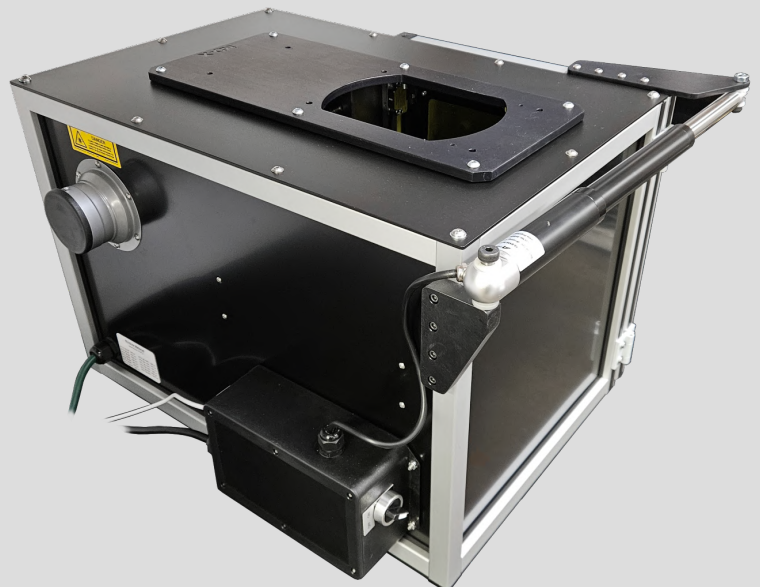
Price: **\$3890.00**



- Compatible with Standard and Tall Size Enclosures
- Comes fully installed on your enclosure
- Ideal for use with automated loading systems
- Dedicated control box with On/Off switch
- 5 Second Opening / Closing Speed
- Built-in Force Limit Protection
- Activated using a 5V, 12V or 24V DC signal

### Specifications

Power Input	120 VAC (Standard Wall Outlet)
Control Signal	5V, 12V or 24V DC
Actuation Time	5 Seconds (Open/Close)
Safety	Integrated Force-Limit Protection
Connection	2-Screw Terminal Block



**BARNES TECHNICAL PRODUCTS LLC**  
15 HIGH ST. WEST HAVEN, CT 06516