

*Laser Marker Not Included

KME-S

LASER MARKING ENCLOSURE

For Keyence MD-X, MD-U & MD-F Laser Markers

Introducing our cost-effective laser marking enclosure for use with Keyence MD-X, MD-U & MD-F laser markers.

This enclosure is specifically designed to provide a secure and stable environment for your Keyence laser marker, ensuring precision and safety for all of your marking applications.

The space efficient design allows for a wide range of part sizes, while still being compact enough for easy integration into any workspace.

With its affordable price point, this enclosure is the perfect solution for businesses looking to optimize their marking process.

MODELS

The KME-S Laser Marking Enclosure is compatible with Keyence MD-X, MD-U & MD-F Laser Markers, with two sizes available for use with both standard area and wide area laser markers.

Standard Size: \$5195.00 *subject to change at any time

- For Standard & Small Spot Marking Area Lasers
- Enclosure Dimensions: 24"L x 16"W x 16-1/4"H

Tall Size: \$5995.00 *subject to change at any time

- For Wide Marking Area Lasers
- Enclosure Dimensions: 24"L x 16"W x 20-3/4"H

Model	Size	Laser	Marking Area
KME-SS-X	Standard	MD-X	Standard
KME-SSP-X*	Standard	MD-X	Small Spot
KME-SW-X	Tall	MD-X	Wide
KME-SS-U**	Standard	MD-U	Standard
KME-SW-U**	Tall	MD-U	Wide
KME-SS-F	Standard	MD-F	Standard
KME-SW-F	Tall	MD-F	Wide


*Includes riser for scissor jack **Compatible with both MD-U1000 & MD-U2000 Series


FEATURES

- Model-Specific Laser Marker Mount Plate
- Large Safety-Interlocked Access Door
- Laser Marker Focal Zone Visual Reference
- 9-1/2" x 9-1/2" Scissor Jack Part Platform (With Optional 12" x 12" Part Fixture Plate)
- Fume Extractor Port with Cover
- LED Interior Light
- Control Panel with Indicator Lights, Start & Stop Buttons, E-Stop and Light Switch
- Fits Parts Up to 22" Long x 13" Wide

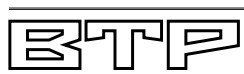
HOW TO ORDER

To place an order, contact us by phone, email or website contact form.

 (203) 931-8852

 rbarnes@barnestechprod.com

 www.barnestechprod.com/laser-enclosure

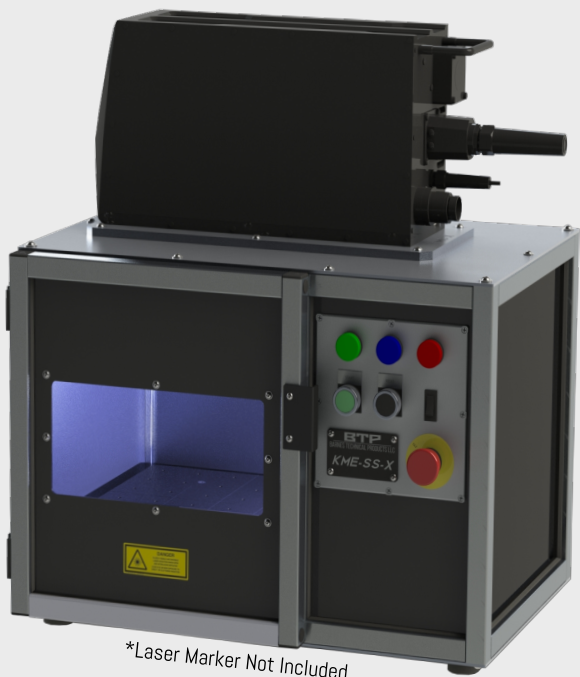
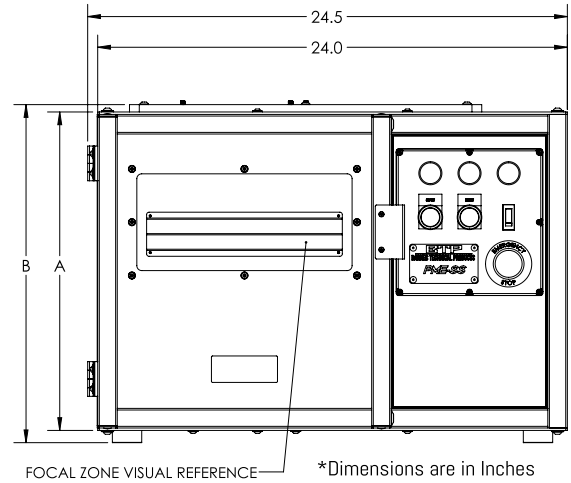
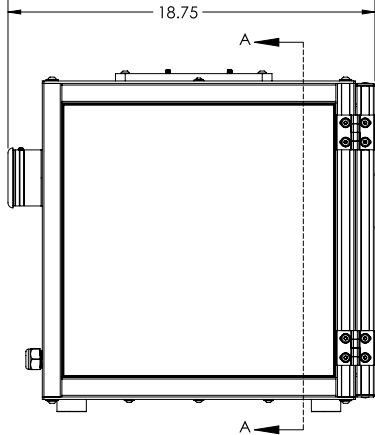
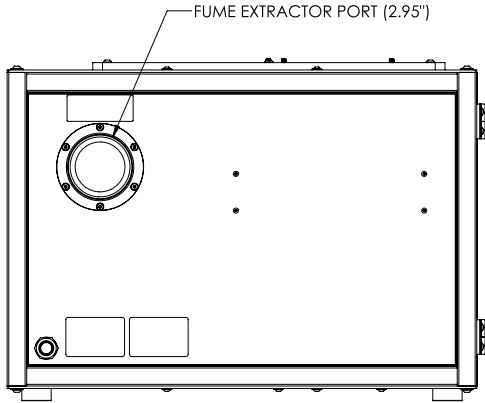
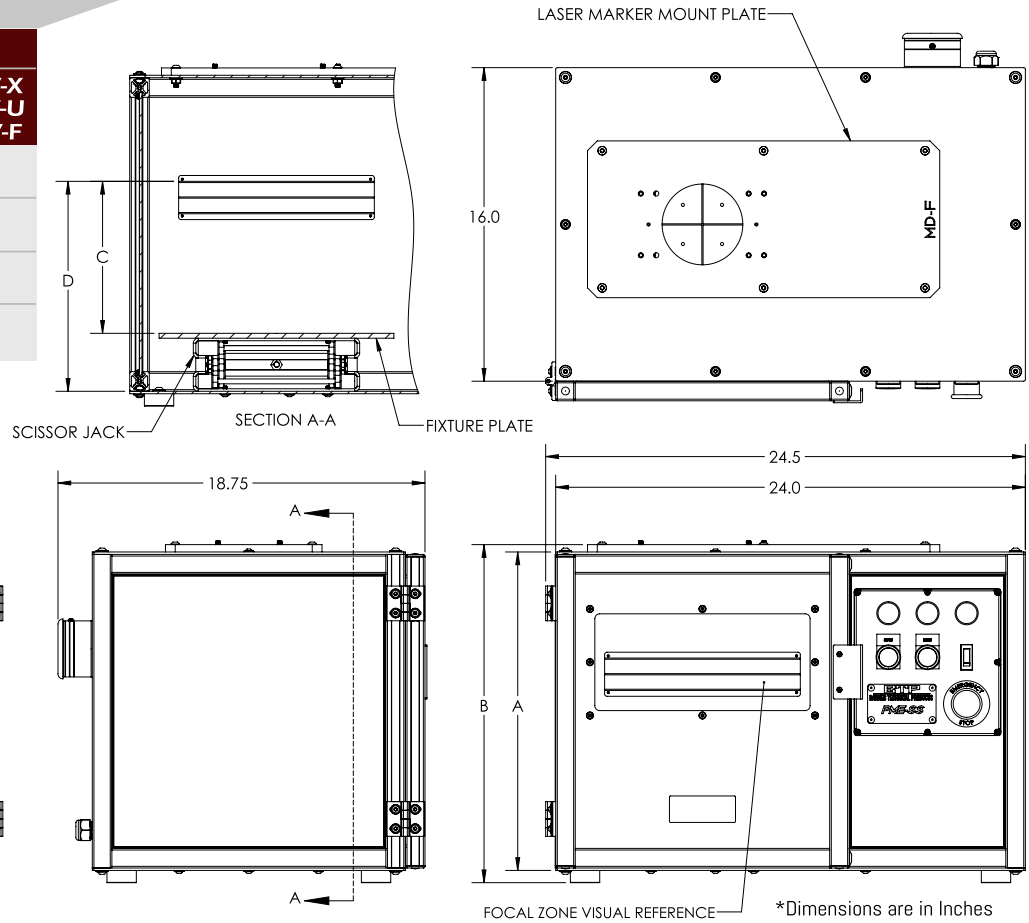


BARNES TECHNICAL PRODUCTS LLC
15 HIGH ST. WEST HAVEN, CT 06516

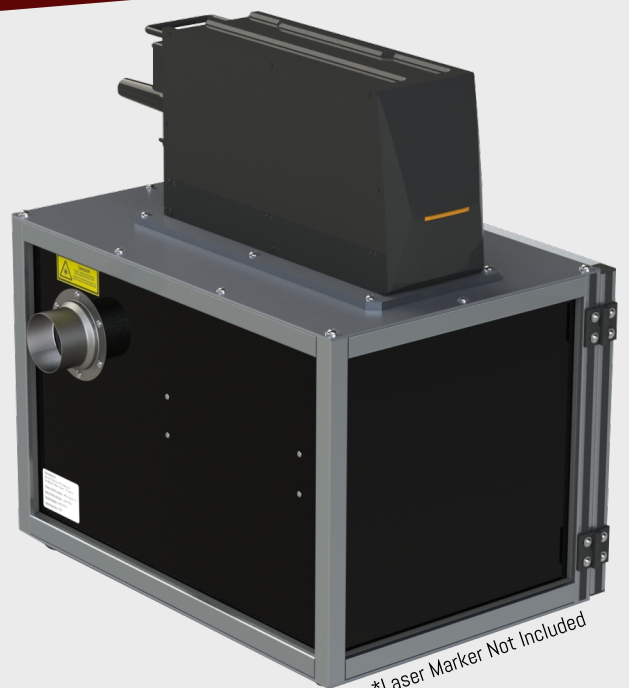
DIMENSIONS

Dim.	Enclosure Model			
	KME-SS-X KME-SS-U	KME-SS-F	KME-SSP-X	KME-SW-X KME-SW-U KME-SW-F
A	16.25"	16.25"	16.25"	20.75"
B	17.25"	17.25"	17.25"	21.75"
C ¹	6.9"	7.7"	10.1"	7.0"
D ²	9.6"	10.4"	12.8"	9.7"

1: Max part height (dimension from top of fixture plate to upper limit of laser work distance). Add 0.25" if fixture plate is not being used.
 2: Max part height with scissor jack removed and fixture plate mounted directly to enclosure bottom panel.



*Laser Marker Not Included



*Laser Marker Not Included

SAFETY LABELS

BARNES TECHNICAL PRODUCTS LLC
 15 HIGH ST. WEST HAVEN, CT 06516

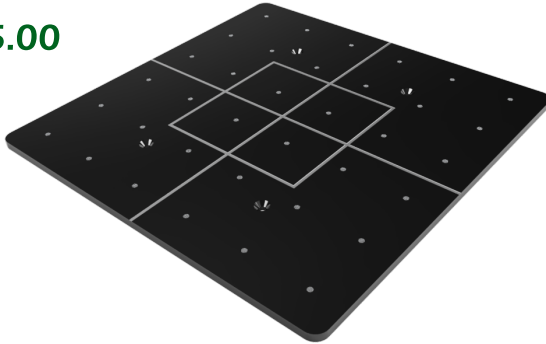
ACCESSORIES

FIXTURE PLATE

Accurately locate and mount parts or tooling using this add-on fixture plate.

The fixture plate features center-marking crosshairs, a standard marking area zone guide box, and 36 tapped mounting holes (#10-32).

- Model Number: KME-FPS-12
- Material: Black Anodized Aluminum
- Size: 12" x 12"
- Price: **\$295.00**

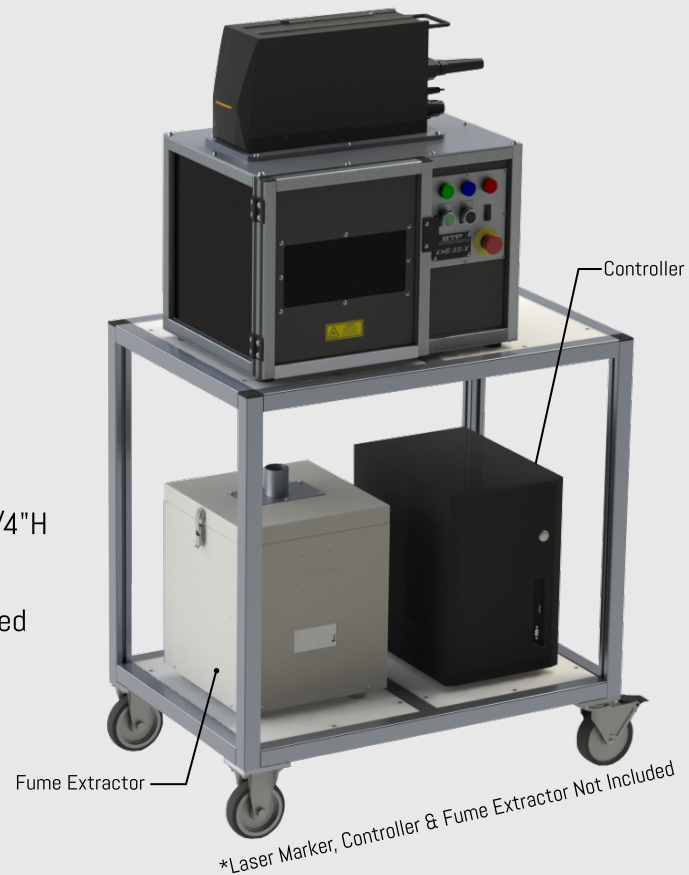


EQUIPMENT CART

This cart is specifically designed to hold our KME-S Laser Marking Enclosure, as well as the MD-X, MD-U or MD-F Laser Marker Controller.

The Fumex FA1-Mini Fume Extractor is recommended if fume extraction is necessary, as the cart is designed to hold this unit. Hardware is included to mount the marking enclosure, controller and Fumex fume extractor.

- Model Number: KMC-1
- Size: 36"L x 24"W x 37-3/4"H
- Ships Fully Assembled
- Mounting Hardware Included
- Price: **\$1995.00**



*Laser Marker, Controller & Fume Extractor Not Included



BARNES TECHNICAL PRODUCTS LLC
15 HIGH ST. WEST HAVEN, CT 06516